

Young Inventors Worksheet- All About Patents

Prepared by Susan Casey, author of *Kids Inventing! A Handbook for Young Inventors* and *Women Invent! Two Centuries of Discoveries That Have Shaped Our World*

www.susancaseybooks.com

LOOKING AT A PATENT

United States Patent [19]
Fleck et al.

US00552585A
[11] **Patent Number:** **5,552,585**
[45] **Date of Patent:** **Sep. 3, 1996**

[54] **MICROWAVE COOKING VESSEL WITH REMOVABLE FOOD SUPPORTS**
[76] Inventors: **Jonathan E. Fleck; Abigail M. Fleck**, both of 425 Hall Ave., both of St. Paul, Minn. 55110-1828

3,713,379 1/1973 Gordy 99/349
4,074,102 2/1978 Asen 219/733
4,343,978 8/1982 Kubiatowicz 219/733
4,887,523 12/1989 Murphy et al. 99/444
4,924,049 5/1990 Dexter, Jr. 219/732
4,933,528 6/1990 Barr 219/732
4,952,764 8/1990 Harrington 219/732
5,057,331 10/1991 Levinson 219/732

[21] Appl. No.: **319,303**
[22] Filed: **Oct. 6, 1994**

Primary Examiner—Philip H. Leung
Attorney, Agent, or Firm—O'Connor & O'Connor
[57] **ABSTRACT**

Related U.S. Application Data
[63] Continuation-in-part of Ser. No. 14,674, Oct. 27, 1993, Pat. No. Des. 366,807.

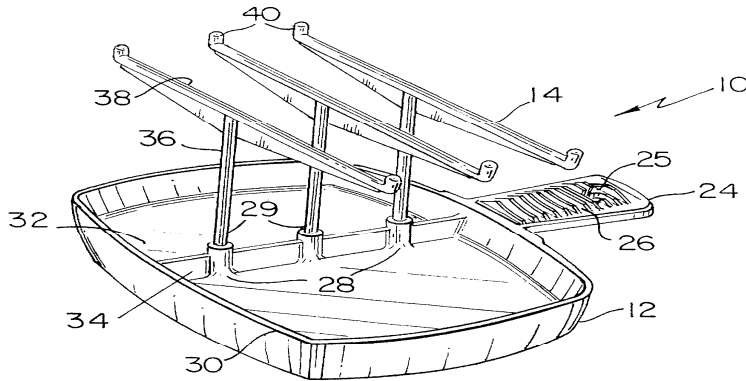
[51] **Int. Cl.** **H05B 6/80**
[52] **U.S. Cl.** **219/732; 219/733; 99/DIG. 14; 99/444; 99/448**

[58] **Field of Search** **219/732, 733, 219/762, 99/444, 443, 446, 448, 449, 425, 427, DIG. 14**

[56] **References Cited**
U.S. PATENT DOCUMENTS
2,826,982 3/1958 Smith 99/393

Foods cook especially effectively in microwave ovens when raised above the level of the floor of the oven, and arrayed to occupy the volume of the oven chamber while the food portions, such as bacon strips, are hung to permit grease to rapidly drain from the cooking strips. The disclosed system 10 includes a dish 12 sized to catch the resulting liquids. food supports 14 which attach to protrusions 28 projecting up from the bottom of the dish. The system is held together for sale or storage by a clip 80 which attaches to these same protrusions to trap the upright supports in the dish cavity. The dish preferably includes a handle 24 with cooling ribs 26.

8 Claims, 3 Drawing Sheets



SOME QUESTIONS:

1. What's the patent number?
2. What date was it granted?
3. What's the name of it? (Look next to (54)).
4. Who are the inventors?
5. What's it for?

This invention is now a product called **Makin' Bacon**. It was invented by Abigail Fleck when she was 9. Her dad, Jonathan, thought it was a great idea so they created a business to sell it. Check it out at www.makinbacon.com.

1. FIND PATENT NUMBERS ON THINGS AROUND THE HOUSE OR AT SCHOOL

Many familiar items are patented and the patent numbers are usually imprinted on the back or bottom of an item or package in very small print. Find patent number on a toy or electronic device or any number other products..

What is the item?

Patent Number

1. _____
2. _____
3. _____



2. DO A REALLY EASY PATENT SEARCH - HONEST! on

1. Go to GOOGLE home page—www.google.com.
2. Type Google Patents in the **search box**. Click **Search**.
3. Click on: **Google Patents**. How do you like the drawings of the patents? Each time you open Google Patents, new patent drawings will appear. You can click on any of the drawings to see more.
4. Type anything in **search box**. For example, bicycle, skateboard, toys, backpack. Press enter.

5. A list appears. Each one on the list is a patent, an invention. Look at the list and click on names of patents that interest you.
6. When the patent appears, Click on the word **Drawings** or **on the drawing** so you can see what it is.

3. SEARCH FOR FAMOUS INVENTIONS BY PATENT NUMBER

- A. Enter **#821,393** in the Google Patent Search box. Click Search Patents.
- B. Click on DRAWINGS to see what the invention looks like.
 1. What is the name of the invention? _____
 2. Who is the inventor? _____
- A. Enter **#200521** in the Google Patent Search box. Click Search Patents.
- B. Click on DRAWINGS to see what the invention looks like.
 3. What is the name of the invention? _____
 4. Who is the inventor? _____

4. SEARCH FOR INVENTIONS BY FAMOUS PEOPLE!

- A. Go to Google-www.google.com. In the search box, type in these words:
Abraham Lincoln, patent. Click Search Patents.
- B. **Click** on one or several of the sites listed. **Read** and **Look** for the number of Lincoln's patent. You may have to check a few sites and look carefully to find it.
- C. **Go to Google Patents.** **Type the number** of **Lincoln's patent** in the search box. **Click** Search Patents.



D. WRITE YOUR RESULTS.

1. What is the number of Abraham Lincoln's patent? _____
2. What is the name of Lincoln's patent? _____
3. What was the purpose of his invention? _____



Michael
Jackson

E. REPEAT THE STEPS IN #4 USING THE WORDS: Michael Jackson, patent.

F. WRITE YOUR RESULTS.

1. What is the number of Michael Jackson's patent? _____
2. What is the name of Michael's patent? _____
3. What was the purpose of his invention? _____

5. SEARCH FOR INVENTORS IN YOUR NEIGHBORHOOD AND INVITE THEM TO YOUR SCHOOL!

- A. Go to Google Patents.
- B. In the search box, type the words: Inventors, then your zip code or city or state.
- C. list will appear. Look at the list and click on patents that sound interesting to you.
- D. On the top right of the Google page, look for Sort by relevance | [Sort by date \(new first\)](#) | [Sort by date \(old first\)](#)

Click on | [Sort by date \(new first\)](#) to find inventors who might still live in your city or town. **Look for the address of the inventor. Send them a letter and invite them to visit your school.**